

GENERATOR SET MODEL: 125-DS

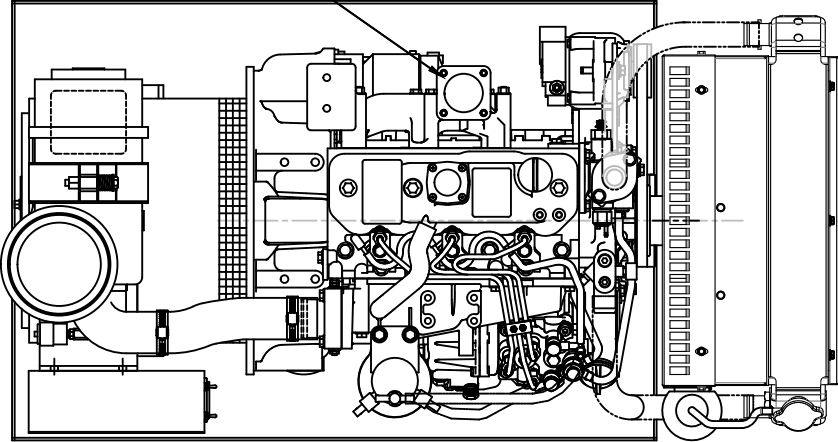
RATED: 12.5kW; 60Hz  
 SINGLE PHASE & THREE PHASE

DIESEL ENGINE:  
 YANMAR MODEL: 3TNV88F-UGGE  
 EPA TIER 4 FINAL  
 1642cc 3 CYLINDER, LIQUID COOLED  
 20.4Hp @ 1800 Rpm

ALTERNATOR:  
 4-POLE, BRUSHLESS  
 ELECTRONIC REGULATION (2%)  
 CLASS "H" INSULATION  
 THD : LESS THAN 3%

FUEL CONSUMPTION, FULL LOAD: 1.2 GPH  
 FREQUENCY REGULATION: 4 1/2%  
 WT. 675 LB

EXHAUST OUTLET



DIRECTION COOLING AIR FLOW  
 →  
 PUSHER TYPE COOLING FAN

MUFFLER NOT SHOWN FOR THIS APPLICATION.

